

## Electronic D

Electronic Limit + Built-in Receiver  
 + Fabric of awnings tighten automatically function  
 + Resistance and stop function+The third limit point

R: Радио приемник

- Электронная регулировка конечных положений
- Автоматический контроль натяжения ткани
- Установка верхнего положения по усилию
- Среднее положение (MY)



## DM 45ED

Electronic Tubular Motor  
 Markizy Cassette

### Specification

Version No. : A/02

## T Technical Support

1. 5-channel emitter = single channel emitter × 5

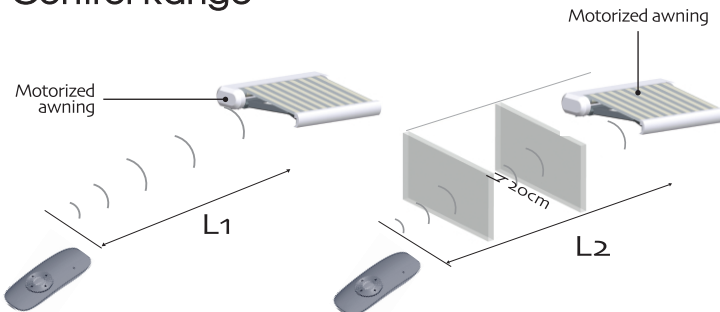
One channel of emitter can control 20 receivers at most at the same time.

2. Electronic D Tubular Motor

One Electronic D motor maximum can store 20 channels, over 20 channels, if still need add new channels, it will be repeating covered last channel.

! Please set the limit position before use, as the setting method please see adding programme and setting limit switch is effective

## Control Range



	L1 Open	L2 Partition	Emission frequency
230V/50Hz	200m	35m	433.92MHz
120V/60Hz	200m	35m	433.92MHz

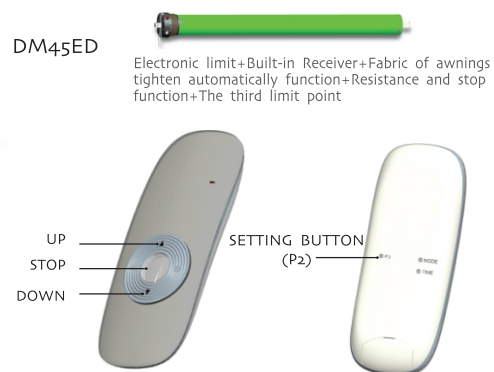
## T Matchable emitter

Technical Support

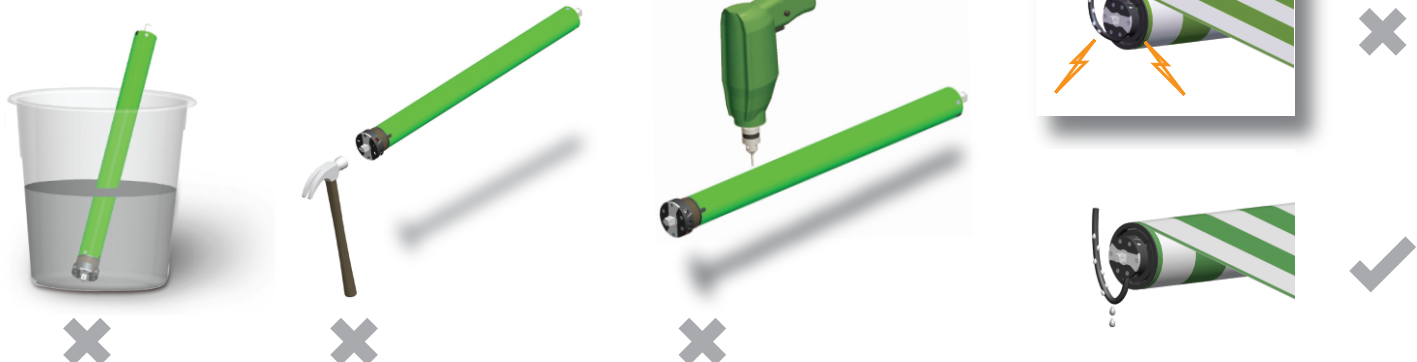


## Button specification

! After the motor do the folding and unfolding movement for 50 times or during the first movement after power on, the motor will stop after resistance to adjust the limit position automatically.



## ! Attention

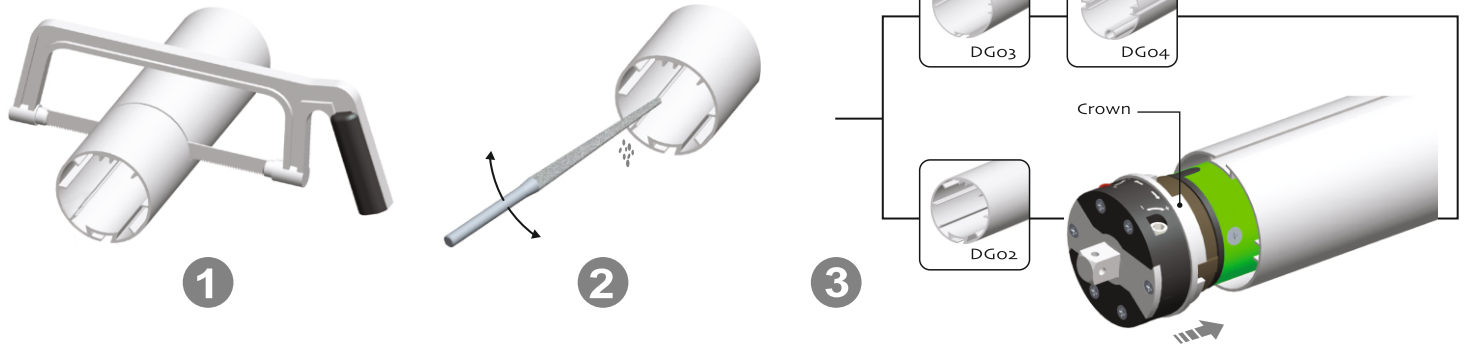


# 1

## Crown installation

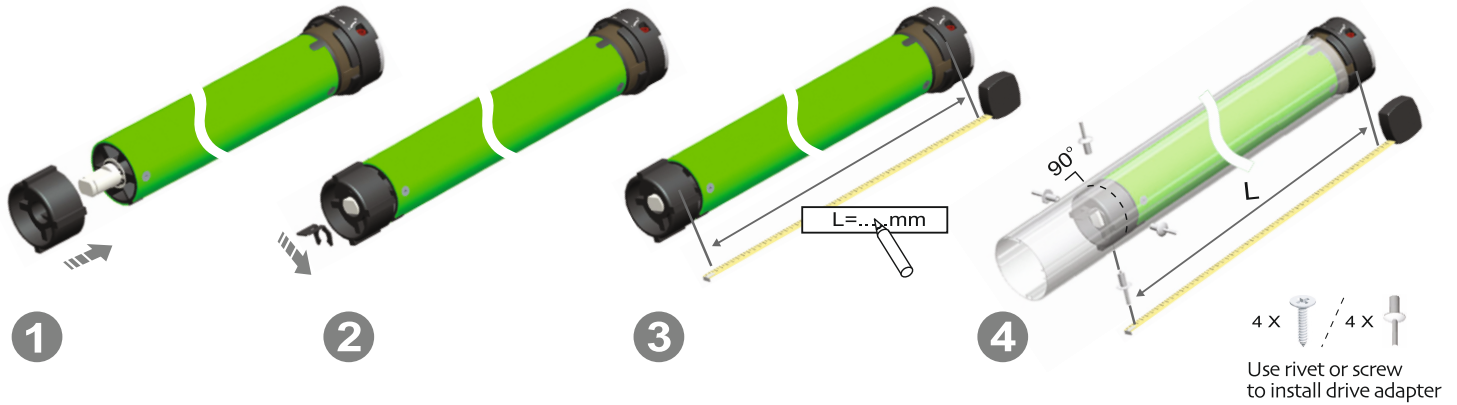


**!** Forbidden drill through crown and inner gear wheel



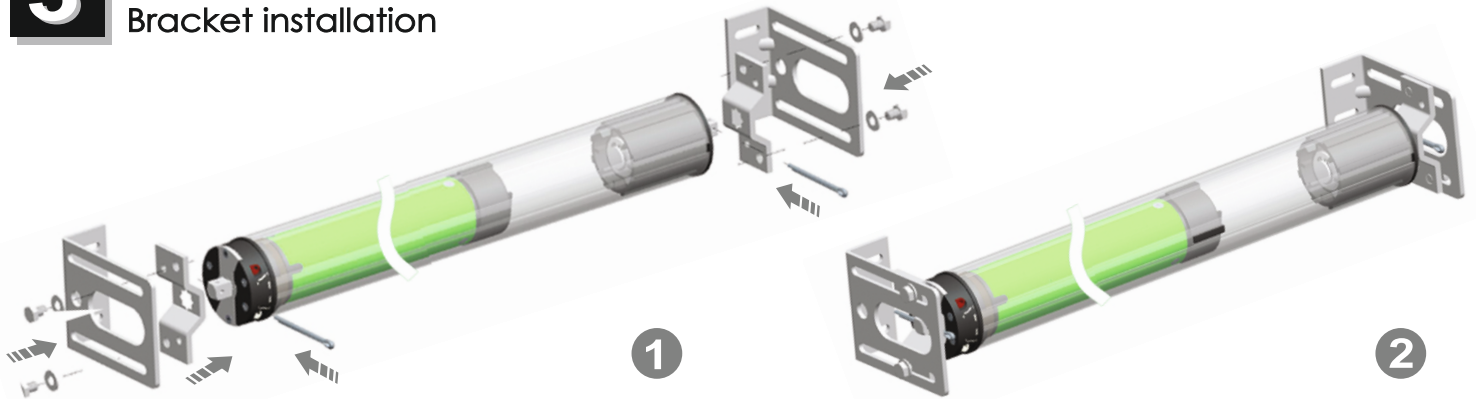
# 2

## Drive adapter installation



# 3

## Bracket installation

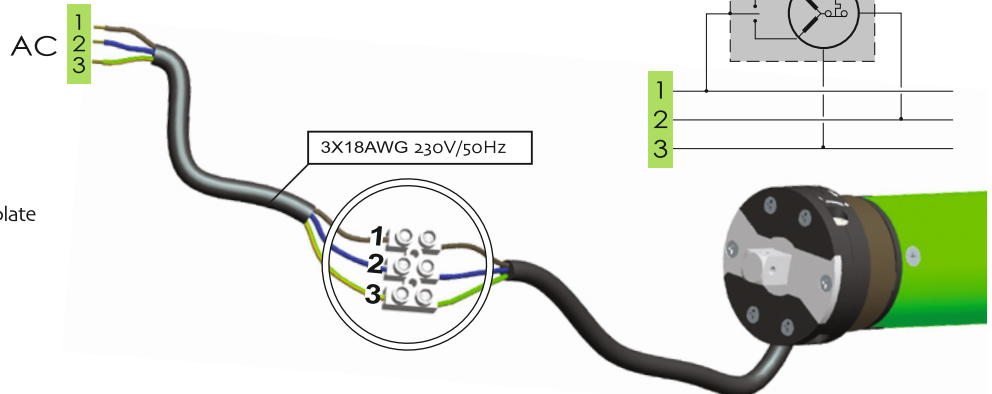
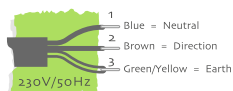


# 4

## Circuit installation



230V/50Hz  
according to product nameplate



# A

## set up

Additional Function

Подключение пульта



Switch off  
- Выключить изделие

the interval of re switch on must over 10 seconds



Switch on, the motor will beep once and run for hint

- Включить изделие

T ≤ 10s



Press the P2 button twice They will both beep once  
- нажать кнопку P2 мотор издаст «бип» 1 раз



The interval of each button must within 4s of resetting otherwise the system will restore the original state



Delete all the datas of the motor and the new emitter has been programmed



Press the Up button the motor will beep three times, and run for hint  
- нажать «вверх» мотор издаст «бип» 3 раза



The up button control the awning call back

- если направление совпадает то пульт настроен



The up button control the awning open up

- если направление не совпадает то

ok  
set up is OK

over again

проделать заново все операции и вместо кнопки «вверх» нажать кнопку «вниз»



Switch off

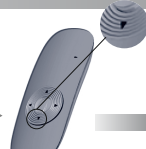
the interval of re switch on must over 10 seconds



Switch on, the motor will beep once and run for hint



Press the P2 button twice They will both beep once times, and run for hint



Press the Down button the motor will beep three times, and run for hint



The up button control the awning call back

ok  
set up is OK  
- настроен

# A

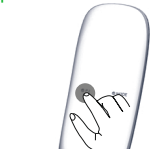
## Set the limit switch for full cassette awnings of ED type

Additional Function

Настройка крайних точек



Switch on  
- Включить изделие



Press the P2 button once the motor will beep once  
- нажать кнопку P2 мотор издаст «бип» 1 раз



Press the Up button once the motor will beep once  
- нажать «вверх» мотор издаст «бип» 1 раз

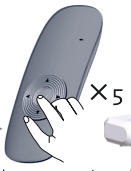


Press the P2 button the motor run for hint and beep three times (Inter setting condition)  
- нажать кнопку P2, мотор издаст «бип» 3 раза и прокрутится



Press up, down or stop button of the emitter to set the awning a perfect open position  
- кнопками «вниз/вверх» подвести до нижнего крайнего положения

After the awning enter the limit setting statue, (1) press up button, the awning folds. (2) press down button, the awning unfolds. (3) Press the setting button during the folding/unfolding movement, it enters the dot move statues, that means the awning will move step by step to adjust the position precisely. Then press the set button again, it will shut the dot-move statue. (4) After the limit position confirmed, press stop button to confirm the limit position. (before press the stop button for 5 times, still can adjust the limit position by pressing up or down button).



Press the STOP button continuously for over 5 times until the motor beep three times and run for hint, that means the open position of awning has been set successfully

- удерживать кнопку «стоп», двигатель издаст «бип» 3 раза и прокрутится, нижнее положение зафиксировано.



Press the UP button to close the awning  
- кнопкой «вверх» доводим до крайнего верхнего положения по усилию



There is a sound 'ka da' when the awning closed completely  
- достигнув верхней точки двигатель прокрутится и зафиксируется по усилию.

The limit switch point has been set successfully for the full cassette awning of ED type  
- настроен

ok

# A

## The third limit point setting

Additional Function

Настройка среднего положения



Switch on  
- Включить изделие

Press up, down or stop button of the emitter to set the awning to the desired third limit position.

- кнопками управления настроить среднее положение



Press the Stop button the motor will stop.



Press stop button for 5 times. The button should be released each time. Invalid if press continually. (the motor will beep for 3 times with a running hint.)



Long press the stop button for 3~5s. the awning run in the third limit position when the awning is in the third limit position, press stop button for 5 times (each press should be short than 1s). It will beep for 3 times with a running hint, then the third position is deleted.

×5

The awning unfolds and the third limit is successfully set.

- удерживаем кнопку «стоп». двигатель издаст звук «бип» 3 раза и прокрутится. настройка завершена

ok

# A

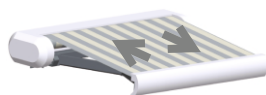
## Sun sensor open and close

Additional Function

включение и отключение датчика солнца



Up button+stop button  
- нажать «вверх» и «стоп»



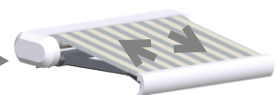
Run three times and beep once  
Once sun sensor open

- изделие выполнит команду 3 раза. Двигатель издаст «бип» 1 раз, датчик солнца открыт.



Down button+stop button

- нажать «вниз» и «стоп»



Run for hint and beep once  
Once sun sensor close

- изделие выполнит команду 3 раза. Двигатель издаст «бип» 1 раз, датчик солнца закрыт.

### A Add Emitter

добавление второго пульта

Additional Function

Switch on -включить

Press "a" emitter's setting button twice They will both beep once - на первом нажать P2 два раза

Press "b" emitter's setting button once - на первом нажать P2 один раз

Beep three times and run for hint

Emitter adding is ok - пульт подключен

In the process of adding emitter, the time interval between pressing the different keys (T)  $1 \leq T \leq 6S$ , otherwise the receiver will quit the status of adding emitter.

### A Delete the limit switch of Electronic D type full cassette awnings

удаление крайних точек

Additional Function

Switch on -включить

Press the P2 button once the motor will beep once - нажать P2, «бип» один раз

Press the down button (P2) once, the motor will beep once - нажать «вниз», «бип» один раз

Press the set button (P2) once - нажать P2, мотор издаст «бип» 3 раза и прокрутится

the motor will Beep three times and run for hint

The limit switch of ED type motor has been deleted successfully - крайняя точка удалена

In the process of setting, the time interval between pressing the different keys (T)  $1 \leq T \leq 6S$ , otherwise the receiver will quit the status of adding emitter.

### A Cancel Emitter

удаление пульта

Additional Function

Switch on -включить

Press the P2 button once the motor will beep once - нажать P2, «бип» один раз

Press the stop button (P2) once, the motor will beep once - нажать «стоп», «бип» один раз

Press the set button (P2) once - нажать P2, мотор издаст «бип» 3 раза и прокрутится

Beep three times and run for hint

Cancel Emitter is ok - пульт удален

To clean up the emitter means deleting all the memory of emitter and limit switch in the ED type motor receivers

### A Dot-move setting

активация пошагового режима

Additional Function

Switch on -включить

Press the P2 button once the motor will beep once - нажать P2, «бип» один раз

Press the up button (P2) once the motor will beep once - нажать «вверх», «бип» один раз

Press the down button one time - нажать «вниз»

Beep three times and run for hint

Setting up is OK - настройка активирована

Repeat setting, function is cancelled on the status of dot-move

Мотор издаст «бип» 3 раза и прокрутится

### A Run in the end rebound setting

работа в условиях обнаружения препятствий

Additional Function

Cancel run in the end rebound settings - настройка отключена

Opened run in the end rebound settings - настройка активна

Мотор издаст «бип» 2 раза и прокрутится

Мотор издаст «бип» 3 раза и прокрутится

## Common failures and solutions

Attention	Fail-phenomena	Failure causes	solutions failure recovery
1	Switch on, the drive adapter runs in one-way operation	setting of limit switch in the motor is uncompleted	re-setting limit switch
2	motor starts slowly or not work after connect power	a. Power voltage is slow b. Wiring error c. Overload d. Improper installation	a. Adjust power to rated data b. Check circuit and correct wiring connecting c. Rated torque associated with the installation of the load d. Re-install the motor
3	Motor stops suddenly after running	Motor stops suddenly after running	Motor will automatically resume work after 20 minutes cooling
4	Abnormal sound during roller blinds in operation	Outer tube is too long, led the rolling shutter connects with both sides of bracket too tightly	If idler is active, propering make the tube shorter to avoid too tight status.