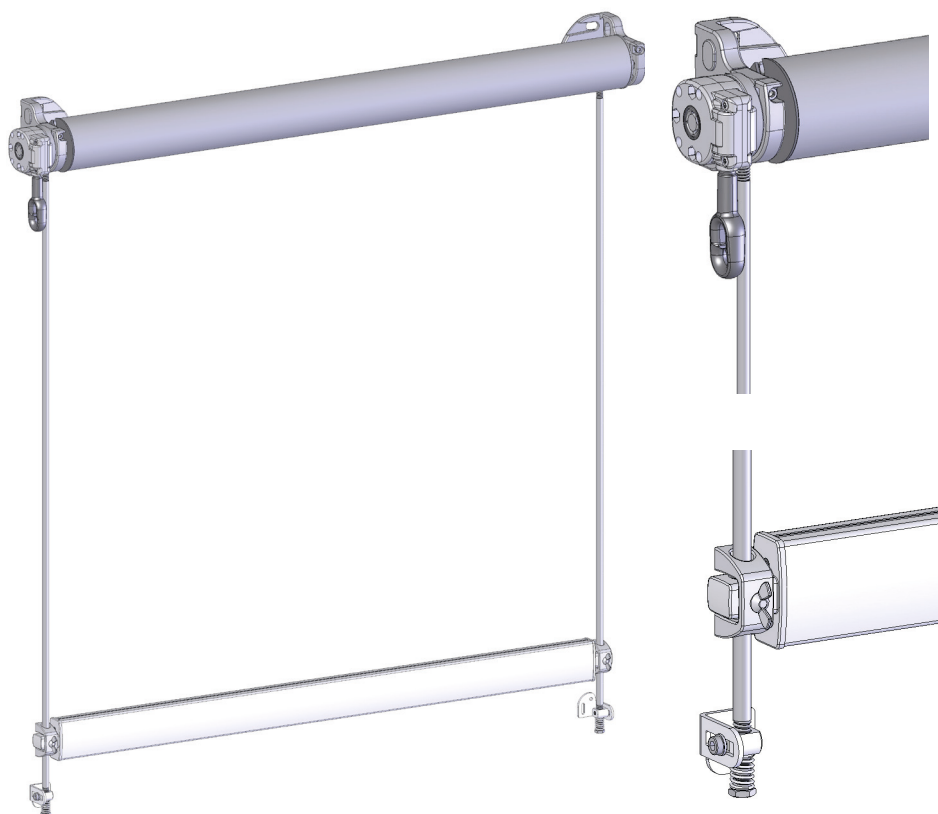
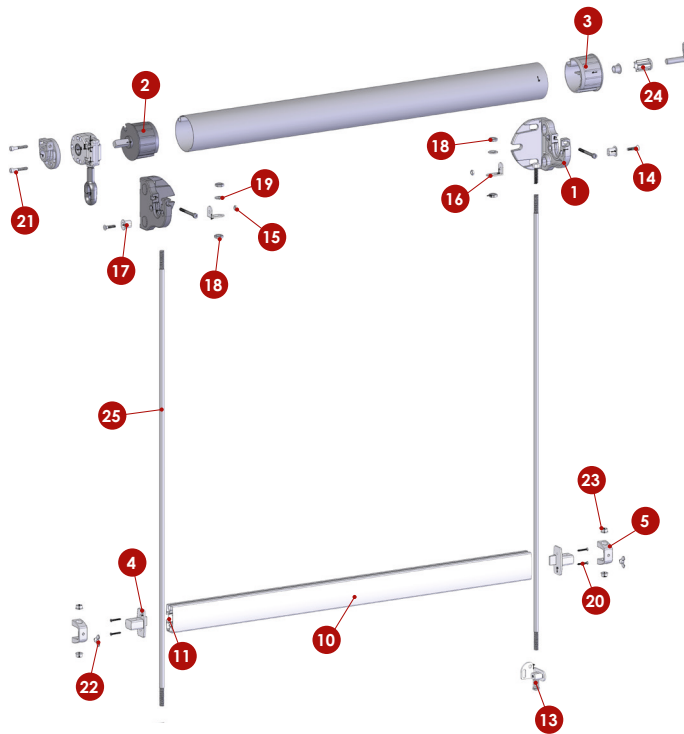


# Decolife Screen 400/500/600





**E** Esquema Screen Nimbus varilla Ø10 con máquina.

**GB** Nimbus Screen scheme for Ø10mm rod, with gear.

**F** Schéma Store Vertical Nimbus avec tringle Ø10, à treuil.

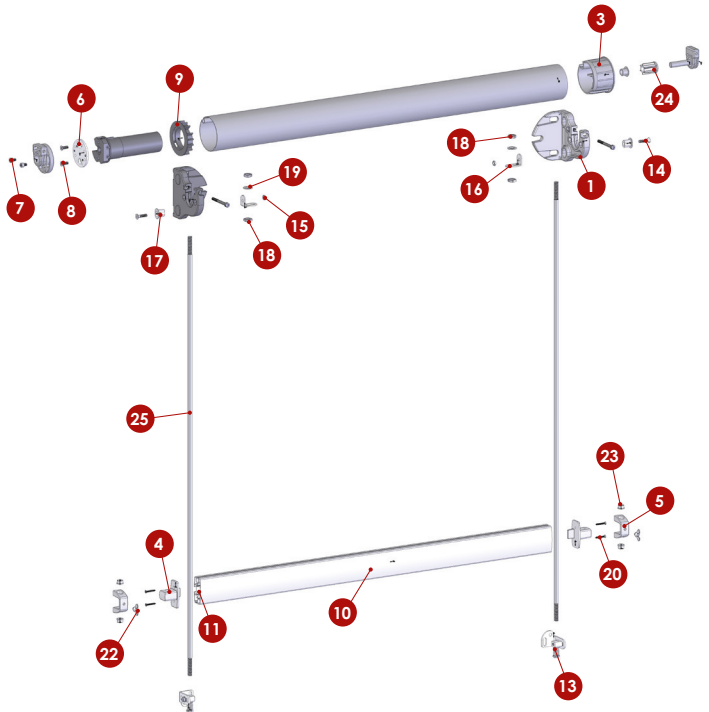
**I** Schema Screen Nimbus con stecca Ø10, con arganello.

**E** Esquema Screen Nimbus varilla Ø10 con motor.

**GB** Nimbus Screen scheme for Ø10mm rod, with motor.

**F** Schéma Store Vertical Nimbus avec tringle Ø10, motorisé.

**I** Schema Screen Nimbus con stecca Ø10, con motore.



Nº	DESCRIPCIÓN DEL ARTÍCULO • ARTICLE DESCRIPTION DESCRIPTION ARTICLE • DESCRIZIONE ARTICOLO	= Includo • Included Inclus • Incluso		UDS. UNITS UNITÀ
		KIT MAQUINA BLANCO (80170233) GEAR KIT WHITE (80170233) KIT TREUIL BLANC (80170233) KIT ARGANELLO BLANCO (80170233)	KIT MOTOR BLANCO (80170231) MOTOR KIT WHITE (80170231) KIT MOTORISATION BLANC (80170231) KIT MOTORE BLANCO (80170231)	
1	JUEGO ANCLAJE PUNTO CON ESPIGA SC. NIMBUS, BLANCO • SET OF BRACKETS WITH ROUND PIVOT, NIMBUS SCREEN, WHITE • SUPPORT CÔTE OPPOSÉ A/TÉTON NIMBUS BLANC • SET SUPPORTI CON PERNO SC. NIMBUS, BIANCO	✓	✓	1
2	CASQUILLO 78 RANURADO PLÁSTICO MÁQUINA E/C-13X40 • DRIVING ROUND CAP OF 78 WITH SQUARE PIVOT OF 13X40, IN PLASTIC • EMBOUT MÂLE CÔTÉ MANŒUVRE 78 S/C-13X40, EN PLASTIQUE • CALOTTA DIAM. 78 CON PERNO Q. 13X40	✓		1
3	CASQUILLO 78 RANURADO PLÁSTICO PUNTO R-14 • ROUND CAP OF 78 WITH ROUND HOLE OF 14, IN PLASTIC • EMBOUT FEMELLE CÔTÉ OPPOSÉ 78 R-14, EN PLASTIQUE CALOTTA 78 CON FORO DIAM. 14	✓	✓	1
4	TOPE BARRA CARGA Ø10 SC. NIMBUS, BLANCO • STOPPER FOR CHARGE PROFILE, Ø10 NIMBUS SCREEN, WHITE • EMBOUT BARRE DE CHARGE Ø10 NIMBUS BLANC TAPPO BARRA TERMINALE BIANCO SC. NIMBUS	✓	✓	2
5	SOPORTE FIJACIÓN TOPE BARRA CARGA SC. NIMBUS, BLANCO FIXATION SUPPORT FOR CHARGE PROFILE STOPPER, NIMBUS SCREEN, WHITE SUPPORT FIXATION EMBOUT BARRE DE CHARGE NIMBUS BLANC SUPPORTO DI FISSAGGIO TAPPO BARRA TERMINALE BIANCO SC. NIMBUS	✓	✓	2
6	SOPORTE MOTOR SC. NIMBUS • SCREEN NIMBUS MOTOR SUPPORT SUPPORT MOTEUR NIMBUS • SUPPORTO MOTORE SC. NIMBUS			1
7	TORNILLO ALLEN M6X8 DIN-912 INOX • M6X8 DIN-912 SIT ALLEN SCREEN VIS ALLEN M6X8 DIN-912 INOX • VITE ALLEN M6X8 DIN-912 INOX			2
8	TORNILLO C/AVELL. PHILU M6X16 DIN-965 INOX M6X16 DIN-965 SST PHILIPS HAZELNUT SCREW VIS A TÊTE FRAISÉE PHILLIPS M6X16 DIN-965 INOX VITE C/AVELL. PHIL M6X16 DIN-965 INOX		✓	2
12	FELPUDO SCREEN RITS L=5M • RITS SCREEN MAT, 5M JOINT BROSSE SCREEN RITS L=5 MTS • SPAZZOLINO SCREEN RITS L= 5M CONJUNTO SOPORTE FIJACIÓN INFERIOR Ø10 SC. NIMBUS LOWER FIXING SET, Ø10 NIMBUS SCREEN KIT SUPPORT FIXATION INFÉRIEUR Ø10 NIMBUS KIT SUPPORTI DI FISSAGGIO INFERIORE Ø10 SC. NIMBUS	✓	✓	1
13	TORNILLO M6X30 DIN-7991 INOX • M6X30 DIN-7991 SST SCREW VIS M6X30 DIN-7991 INOX • VITE M6X30 DIN-7911 INOX	✓	✓	2
14	TUERCA HEXAG. M6 DIN-439 INOX • M6 DIN-439 SST HEXAGONAL NUT ÉCROU HEXAG M6 DIN-439 INOX • DADO ESAGONALE M6 DIN-439 INOX			
15	SOPORTE FIJACIÓN SUPERIOR SC. NIMBUS INOX STAINLESS STEEL UPPER FIXING SET, NIMBUS SCREEN SUPPORT FIXATION SUPÉRIEUR SC. NIMBUS INOX SUPPORTO INOX DI FISSAGGIO SUPERIORE SC. NIMBUS			
16	BULÓN FIJACIÓN SUPERIOR SC. NIMBUS INOX • STAINLESS STEEL BOLT FOR UPPER FIXING SET, NIMBUS SCREEN • BOULON FIXATION SUPÉRIEUR SC. NIMBUS INOX BULLONE INOX DI FISSAGGIO SUPERIORE SC. NIMBUS	✓	✓	2
17	TUERCA HEXAG. M10 DIN-439 INOX • M10 DIN-439 SST HEXAGONAL NUT ÉCROU HEXAG. M10 DIN-439 INOX • DAGO INOX ESAGONALE M10 DIN-439			
18	ARANDELA M10 DIN-125 INOX • M10 DIN-125 SST WASHER RONDELLE M10 DIN-125 INOX • RONDELLA INOX M10 DIN-125			
19	TORNILLO Ø3,5X32 DIN-7982 INOX • Ø3,5X32 DIN-7982 SST SCREW VIS Ø3,5X32 DIN-7982 INOX • VITE Ø3,5X32 DIN-7982 INOX			4
20	TORNILLO ALLEN M6X40 DIN-912 INOX • M6X40 DIN-912 SIT ALLEN SCREW VIS ALLEN M6X40 DIN-912 INOX • VITE ALLEN M6X40 DIN-912 INOX			2
21	POMO MARIPOSA M6X10 KTSW-28M06M10 • M6X10 KTSW-28M06M10 BUTTERFLY HANDLE POIGNÉE PAPILLON M6X10 KTSW-28M06M10 • MANOPOLA M6X10 KTSW-28M06M10	✓	✓	2
22	CASQUILLO SOPORTE FIJACIÓN Ø10 SC. NIMBUS FIXATION SUPPORT CAP, Ø10 NIMBUS SCREEN • EMBOUT SUPPORT FIXATION Ø10 NIMBUS CALOTTA SUPPORTO FISSAGGIO Ø10 SC. NIMBUS			4
23	CASQUILLO COMPENSACIÓN Ø12X25X30 SC. NIMBUS • Ø12X25X30 COMPENSATION CAP, NIMBUS SCREEN • EMBOUT DE COMPENSATION Ø12X25X30 NIMBUS CALOTTA COMPENSAZIONE Ø12X25X30 SC. NIMBUS			1

Nº	DESCRIPCIÓN DEL ARTÍCULO • ARTICLE DESCRIPTION DESCRIPTION ARTICLE • DESCRIZIONE ARTICOLO	CODIGO CODE CODICE	UDS. UNITS UNITÀ
9	POLEA Y ADAPTADOR OJIVA 78 S.50 • PULLEY AND ADAPTOR FOR 78 OGIVE, 50 SERIES POULIE ET ADAPTATEUR À GORGE 78 S. 50 • PULEGGIA E ADATTATORE OGIVA 78 S.50	60070015*	1
10	PERFIL BARRA DE CARGA SC. NIMBUS, BLANCO, 7M • CHARGE PROFILE IN METERS, NIMBUS SCREEN, 7M, WHITE MTS. PROFIL BARRE DE CHARGE NIMBUS BLANC 7M • PROFILO BARRA TERMINALE SC. NIMBUS BIANCO DA 7M	80170225	1
11	BARRA REFUERZO 16X16 SC. NIMBUS, ZINCADA, 3M • 16X16 REINFORCEMENT BAR IN METERS, NIMBUS SCREEN, 3M, ZINC COATED • MTS. BARRE RINFORZ 16X16 NIMBUS ZINGUEE 3M • BARRA ZINCATA DI RINFORZO 16X16 SC. NIMBUS DA 3M	80170228	2 Kg/m
25	VARILLA Ø10 MM INOX 304, 6M • Ø10MM ROD SST 304, 6M TRINGLE Ø10MM INOX 304, 6M • STECCA Ø10 MM INOX 304, 6M	80170306	1

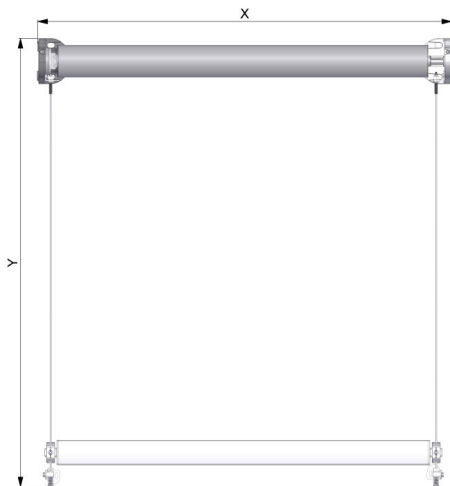
\*Solo opción motor • Only motor option • Seulement option moteur • Solo opzione motore

**E** Descuentos montaje

**F** Coupe à mesure pour montage

**GB** Cutting list

**I** Tabella montaggio



	MOTOR • MOTOR MOTEUR • MOTORE	MAQUINA INTERIOR GEAR INSIDE TREUIL INTERNE ARGANELLO INTERNO	MAQUINA EXTERIOR GEAR OUTSIDE TREUIL EXTERNE ARGANELLO ESTERNO
PERFIL BARRA CARGA SCREEN NIMBUS CHARGE PROFILE, NIMBUS SCREEN PROFILE BARRE DE CHARGE STORE VERTICAL NIMBUS PROFILO BARRA QUADRA SCREEN NIMBUS	X - 107mm	X - 120mm	X - 100mm
VARILLA Ø10 / CABLE-VARILLA Ø4 Ø10 ROD / Ø4 ROD-ROPE TRINGLE Ø10 / CÂBLE-TRINGLE Ø4 TONDINO Ø10 / CAVO-FUNE Ø4	Y - 40mm (A TECHO • TO CEILING • A PLAFOND • A SOFFITTO)	Y - 40mm (A TECHO • TO CEILING A PLAFOND • A SOFFITTO)	Y - 40mm (A TECHO • TO CEILING A PLAFOND • A SOFFITTO)
	Y - 100mm (A PARED • TO WALL A MUR • A PARETE)	Y - 100mm (A PARED • TO WALL • A MUR • A PARETE)	Y - 100mm (A PARED • TO WALL • A MUR • A PARETE)
TUBO OJIVA Ø78 • Ø78 OGIVE TUBE TUBE A GORGE Ø78 • RULLO OGIVA Ø78	X - 110mm	X - 130mm	X - 55mm
LONA SCREEN • SCREEN FABRIC TOILE STORE VERTICAL • TESSUTO SCREEN	X - 115mm	X - 135mm	X - 105mm
	Y + 200mm	Y + 200mm	Y + 200mm
BARRA REFUERZO ACERO 16x16 16x16 REINFORCEMENT BAR BARRE RENFORT ACIER 16x16 BARRA DI RINFORZO ACCIAIO 16x16	2 Kg/m	2 Kg/m	2 Kg/m

**E** Accionamiento

**F** Manoeuvre

**GB** Operation

**I** Azionamento

- Motor Serie 50 • 50 Series Motor • Moteur Série 50 • Motore Serie 50
- Máquina Ciclón • Cyclon Gear • Treuil Cyclon • Arganello Cyclon

**E** Rango de Uso

**F** Rang d'utilisation

**GB** Usage Range

**I** Utilizzo

TUBO • TUBE TUBE • RULLO	ANCHURA • WIDTH LARGEUR • LARGHEZZA	ALTURA • HEIGHT HAUTEUR • ALTEZZA
Ø78	5000mm	5000mm

**E** Sistema de fijación superior para varilla Ø10mm

**GB** Upper fixing system for Ø10mm rod

**E** Nota: Opcionalmente se puede utilizar cable o varilla de Ø4mm.

**GB** Note: You can optionally use Ø4mm rod or rope.

**E** Paso 1:

Romper la pre-rotura del juego anclaje inyección e insertar el bulón fijación.

**GB** Step 1:

Break the pre-break hole at the set of injection brackets and insert the fixing bolt.

**F** 1:

Casser la pré-découpe du jeu d'anclage en injection et insérer le boulon de fixation.

**I** Fase 1:

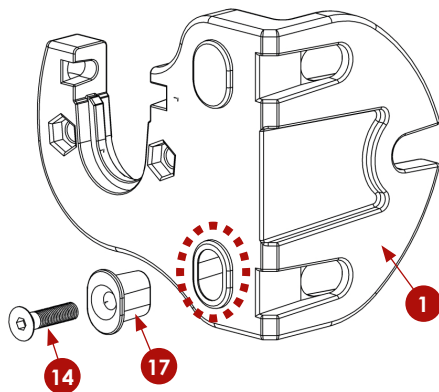
Rompere la pre-rottura del set supporti in pressofusione e inserire lo spinotto di fissaggio.

**F** Système de fixation supérieur pour tringle Ø10mm

**I** Sistema di fissaggio superiore con tondino Ø10mm

**F** Note: Optionnellement on peut utiliser câble ou tringle de Ø4mm.

**I** Nota: Opzionalmente si può usare un cavo o un tondino di Ø4mm.



**E** Paso 2:

Fijar el soporte fijación superior y posteriormente la varilla Ø10 roscada M10 en ambos extremos regulando su posición según el sistema a utilizar.

**GB** Step 2:

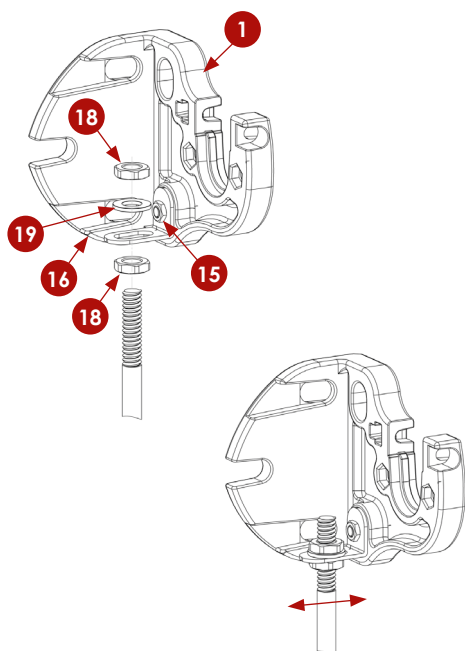
Fix the upper fixing support and later the Ø10 rod, M10 threaded at both sides and adjusting its position depending on the system to use.

**F** 2:

Placer d'abord le support de fixation supérieur et après la tringle Ø10mm vissée M10 aux deux extrémités en réglant la position selon le système à utiliser.

**I** Fase 2:

Fissare il supporto superiore e posteriormente il tondino Ø10 filettato M10 in entrambe le estremità regolando la posizione secondo il sistema da utilizzare.



**E Paso 3:**

Fijar el sistema de fijación inferior a pared/  
suelo del Screen Nimbus para varilla Ø10mm.

**GB Step 3:**

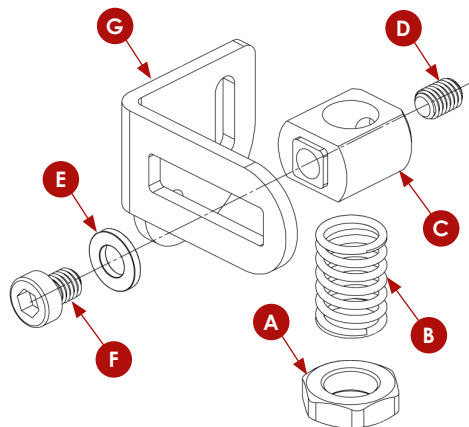
Fix the lower fixing set to wall/floor of the Nimbus  
Screen for Ø10mm rod.

**F 3:**

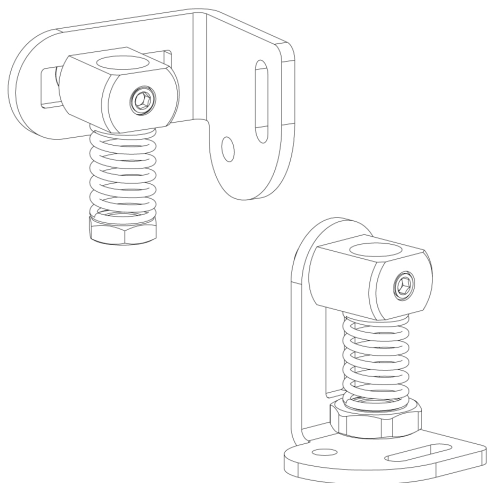
Fixer le système de fixation inférieur à mur/  
sol du Store Vertical Nimbus pour tringle de  
Ø10mm.

**I Fase 3:**

Fissare il sistema di fissaggio inferiore a  
parete/suolo dello Screen Nimbus con il  
fondino Ø10mm.



<b>A</b>	Tuerca hexagonal M10 DIN-439 inox. M10 DIN-439 sst hexagonal nut. Écrou hexagonal M10 DIN-439 inox. Dado esagonale M10 DIN-439 inox.
<b>B</b>	Muelle fijación pared tubo-cable inox. Sst wall fixation spring for rod-ropé. Ressort fixation mur tube-câble inox. Molla di fissaggio parete tubo-cavo inox.
<b>C</b>	Bulón soporte fijación inferior Ø10 Screen Nimbus inox. Ø10 sst lower fixation support bolt for Nimbus Screen. Boulons support fixation inférieur Ø10 Store Vertical Nimbus inox. Innesto per fissaggio inferiore Ø10 Screen Nimbus inox.
<b>D</b>	Prisionero Allen M6X5 DIN-916 inox. Allen M6x5 DIN-916 sst prisoner. Vis Allen M6x5 DIN-916 inox. Vite a prigioniero M6X5 DIN-916 inox.
<b>E</b>	Arandela M6 DIN-125 inox. • M6 DIN-125 sst washer. Rondelle M6 DIN-125 inox. • Rondella M6 DIN-125 inox.
<b>F</b>	Tornillo M6X8 DIN-7984 inox. • M6x8 DIN-7984 sst screw. Vis M6x8 DIN-7984 inox. • Vite M6X8 DIN-7984 inox.
<b>G</b>	Soporte fijación inferior Screen Universal inox. Sst lower fixation support for Universal Screen. Support fixation inférieur Store Vertical Universal inox. Supporto fissaggio inferiore Screen Universal inox.

**E Paso 4:**

Introducir la varilla Ø10mm en el soporte  
fijación inferior según la orientación  
deseada (pared o suelo), dar la tensión a  
la varilla enroscando las tuercas M10 sobre  
ambos extremos.

**GB Step 4:**

Insert the Ø10mm rod at the lower fixing support  
according to the desired orientation (wall or  
floor) and give tension to the rod by screwing  
the M10 nuts on both sides.

**F 4:**

Introduire la tringle Ø10mm dans le support  
de fixation inférieur selon l'orientation  
souhaitée (mur ou sol), tensionner la tringle  
en vissant les écrous M10 sur chaque  
extrémité.

**I Fase 4:**

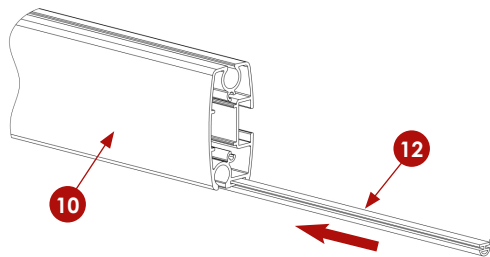
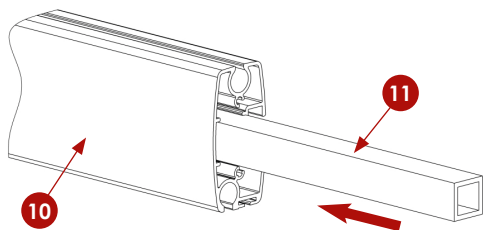
Introdurre il fondino Ø10mm nel supporto  
fissaggio inferiore secondo l'orientamento  
desiderato (parete o suolo), dare tensione al  
fondino avvitando il dado M10 su entrambe  
le estremità.

**E Paso 5:** Montaje felpudos.  
Introducir el felpudo en el perfil barra de carga.

**GB Step 5:** Mats assembly.  
Insert the mat at the charge profile.

**F 5:** Montage joint brosse.  
Introduire le joint brosse dans le profil barre de charge.

**I Fase 5:** Montaggio spazzolino.  
Introdurre lo spazzolino nel profilo terminale.



**E Paso 6:** Montaje barra de carga.  
Introducir la barra de carga en el perfil barra de carga (2Kg/m).

**GB Step 6:** Charge profile assembly.  
Insert the reinforcement bar at the charge profile (2Kg/m).

**F 6:** Montage barre de charge.  
Introduire la barre de charge dans le profil barre de charge (2Kg/m).

**I Fase 6:** Montaggio del profilo terminale.  
Introdurre la barra contrappeso nel profilo terminale (2Kg/m).

Decolife

---

