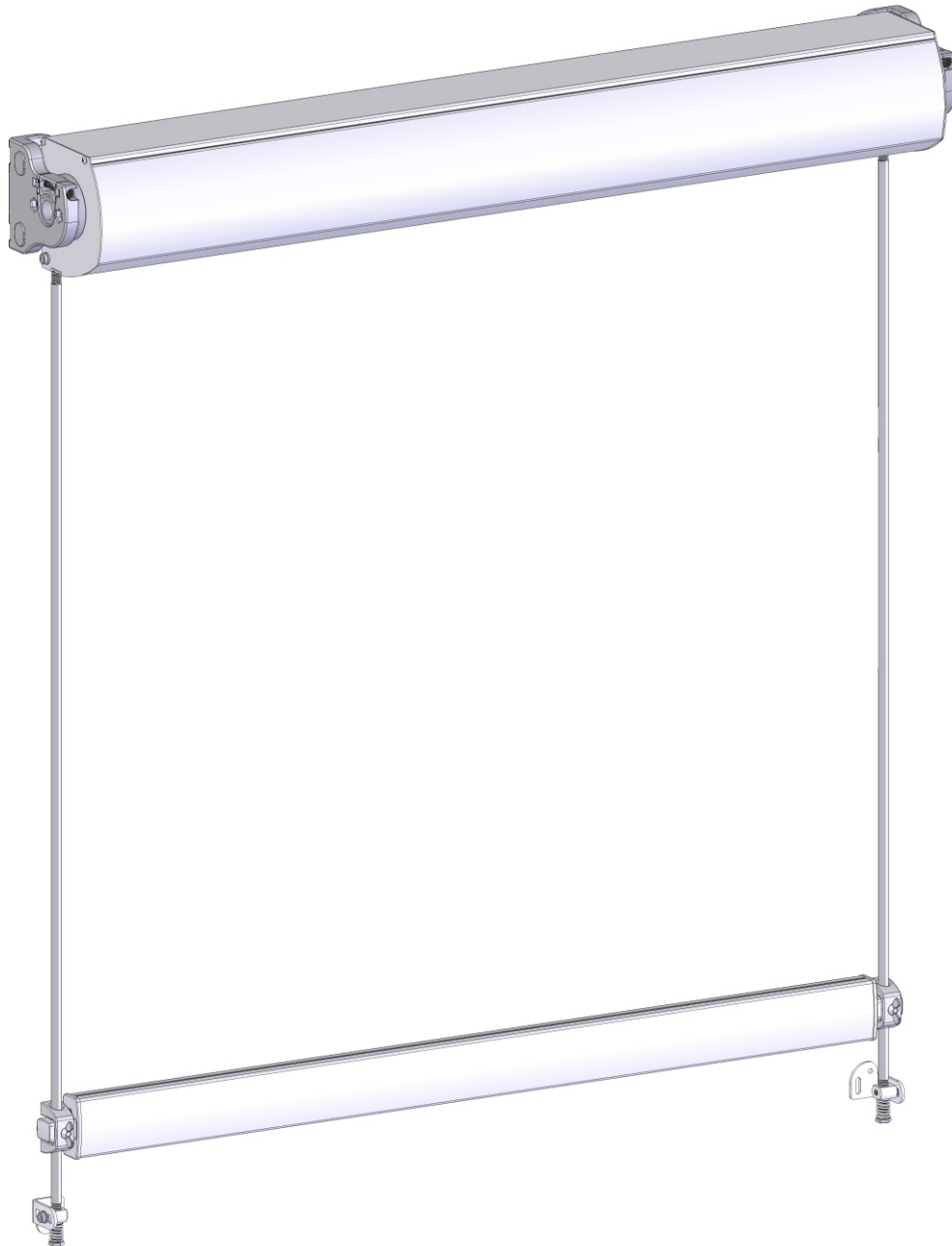


Decolife Screen 400/500/600



Screen 400\500\600

USE: Vertical rolling up screen for the external side of large windows.

COMPATIBILITY: It can be assembled with:

- 50 Series Motor: Gaviota Simbac, Somfy, Simu, Nice, Jolly and Cherubini.
- Ø78 Tube
- Set of Injection Brackets
- Ciclon Gear

USAGE RANGE:

Maximum Height: 5m
Maximum Width: 5m

GUIDANCE SYSTEMS:

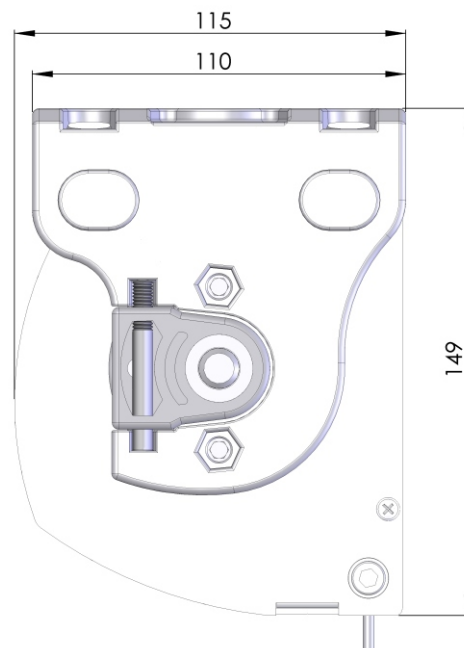
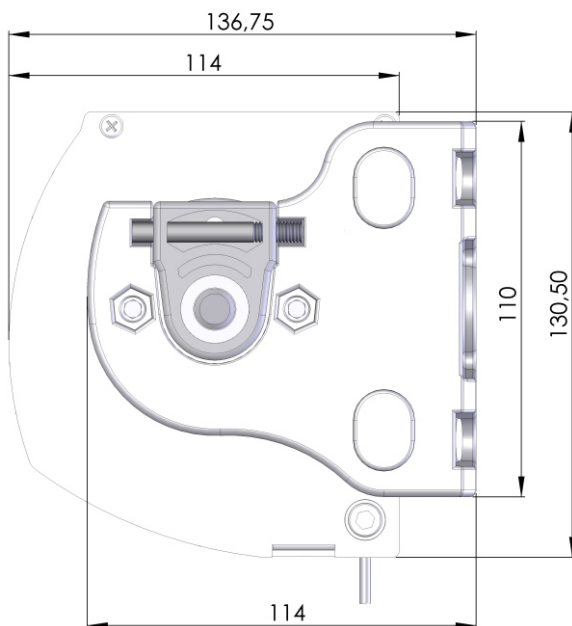
- Stainless steel rod of Ø10mm.

ASSEMBLY OPTIONS:

- Nimbus Screen: Ceiling, Frontal and Between Walls.
- Nimbus Screen Box: Frontal or Between Walls with frontal profile.

MATERIALS:

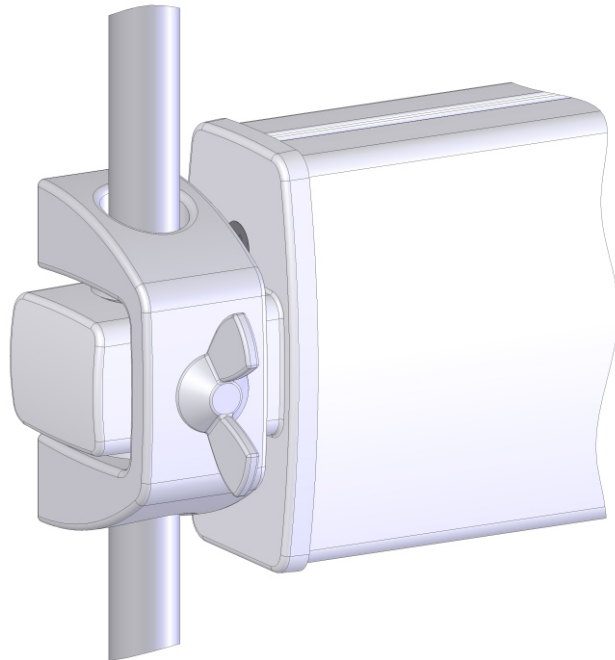
- Standard Extruded Aluminum profiles.
- Aluminum fixing supports.
- Aluminum caps.
- Standard stainless steel screws.



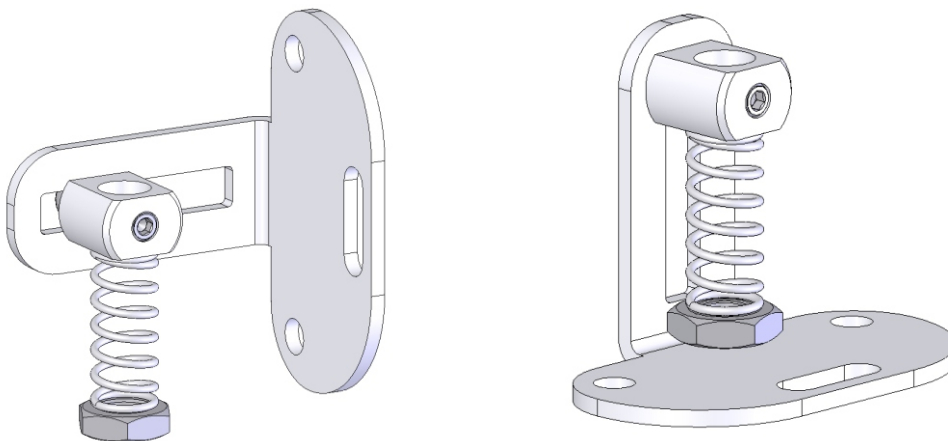
Screen 400\500\600

Screen Technical Specifications:

- The Nreen guidance system has, in order to avoid any damage or problem with the fabric, a blockage device that can be height regulated.

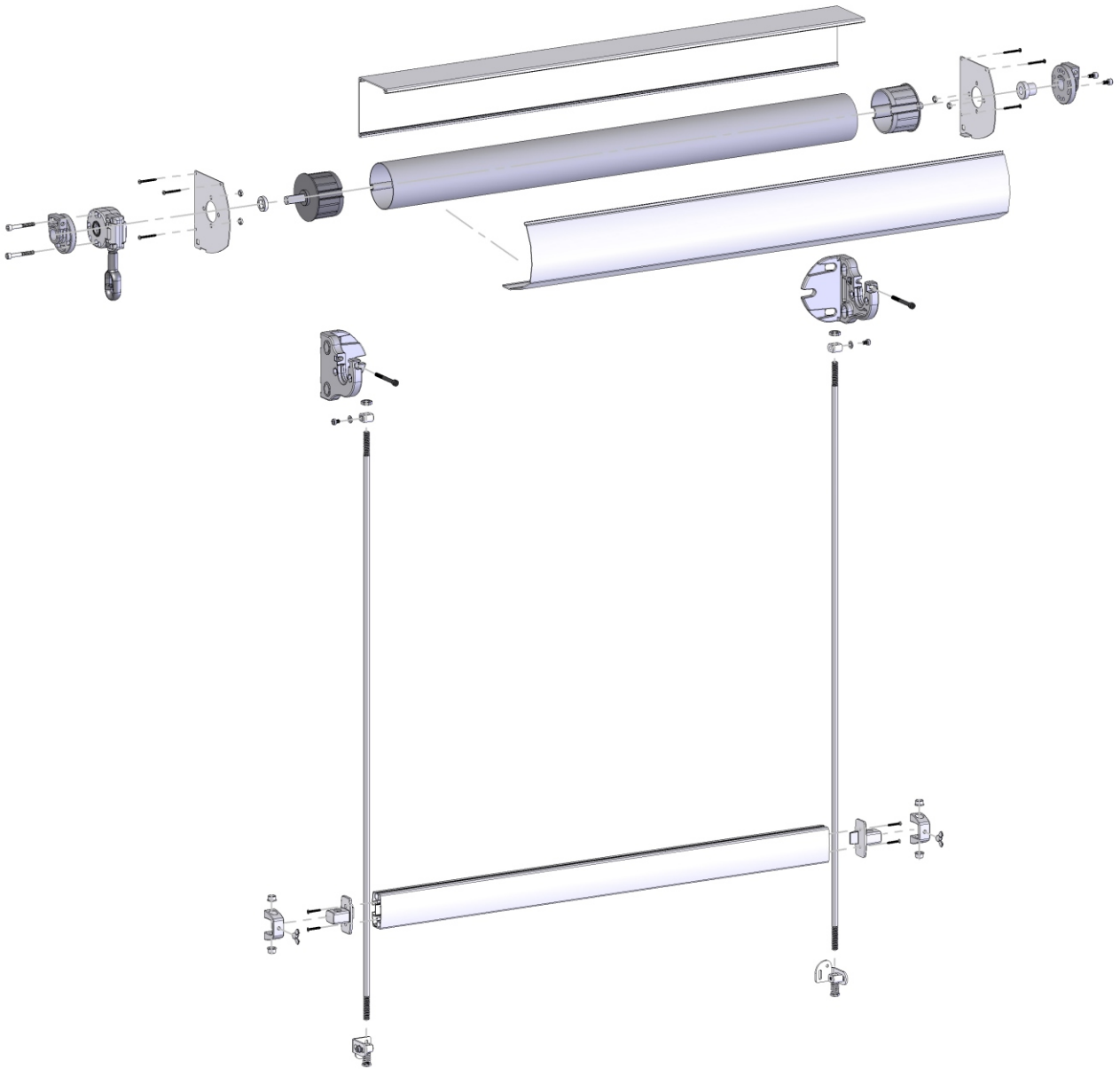


- The rod-lower rope fixing set has a tensor that avoids any rod twisting at the tension moment. Ø10mm rod can be fixed to the floor or to the wall.



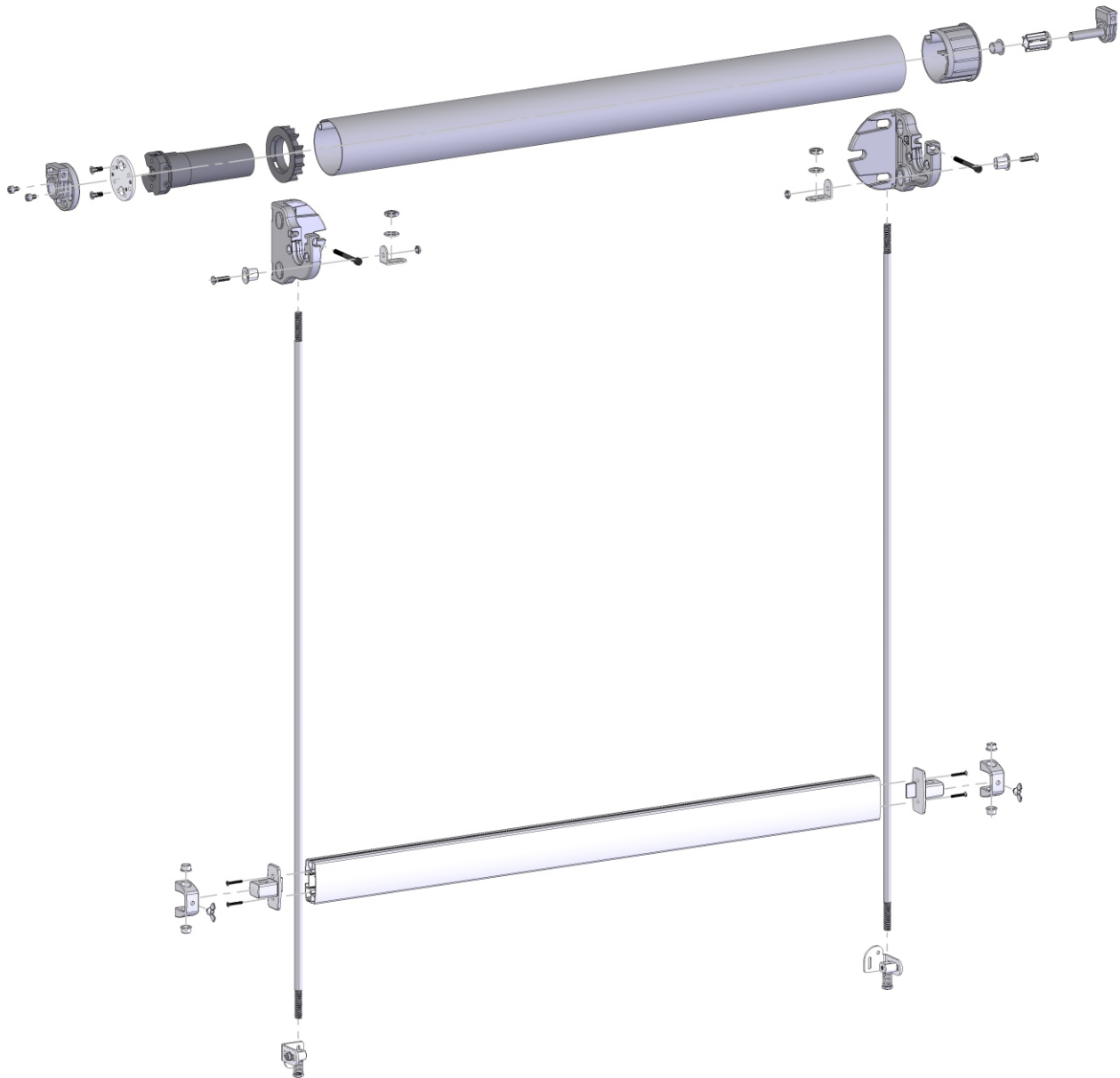
Screen 400\500\600

Schemes:-Screen OX WITH GEAR:



Screen 400\500\600

-SCREEN WITH MOTOR:



Screen 400\500\600

Assembly Options for the Nimbus Screen:

SCREEN WITH GEAR TO WALL / CEILING



-SCREEN WITH MOTOR TO WALL / CEILING



Screen 400\500\600

Assembly Options for the Nimbus Screen Box:

- SCREEN BOX WITH GEAR TO WALL / CEILING



- SCREEN BOX WITH MOTOR TO WALL / CEILING



Decolife

