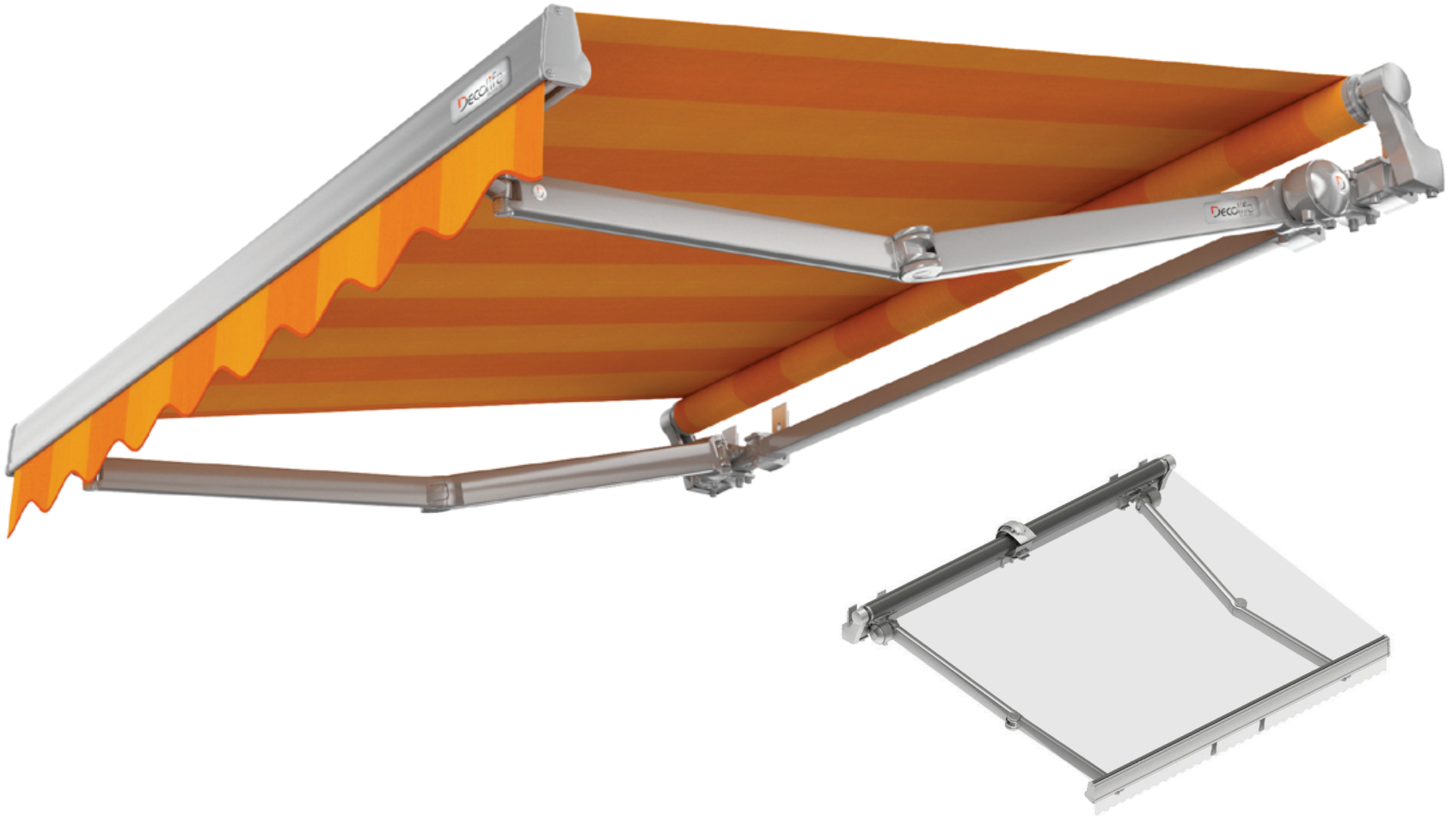
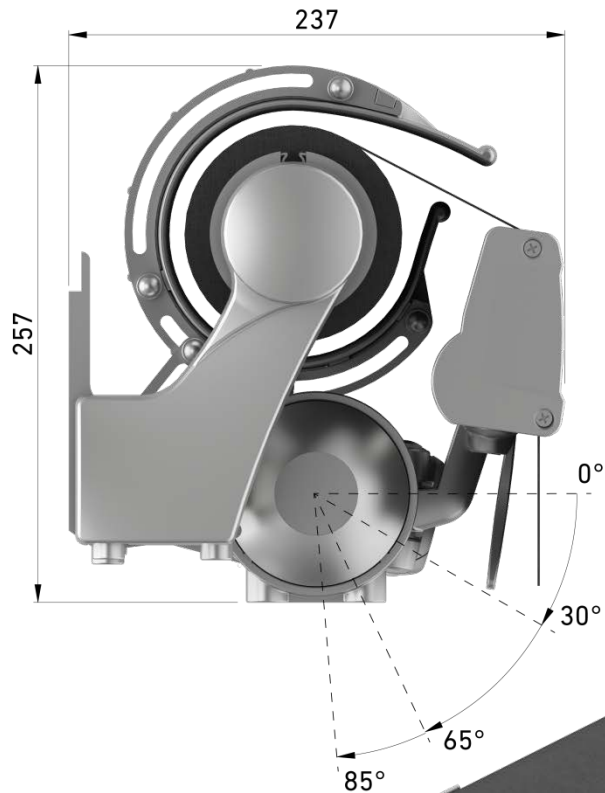


# Decolife G200 Classic

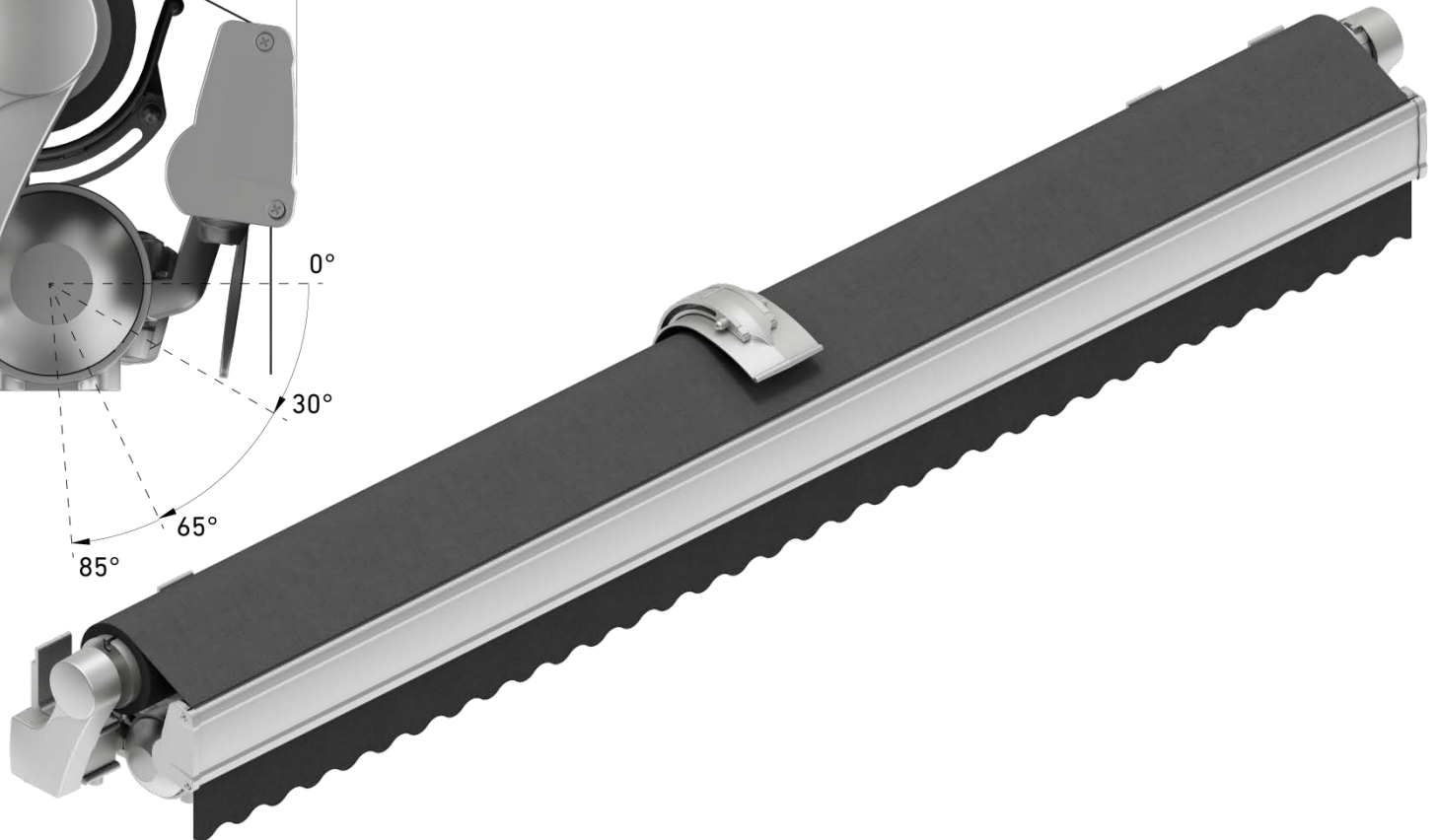


# G200 Classic:



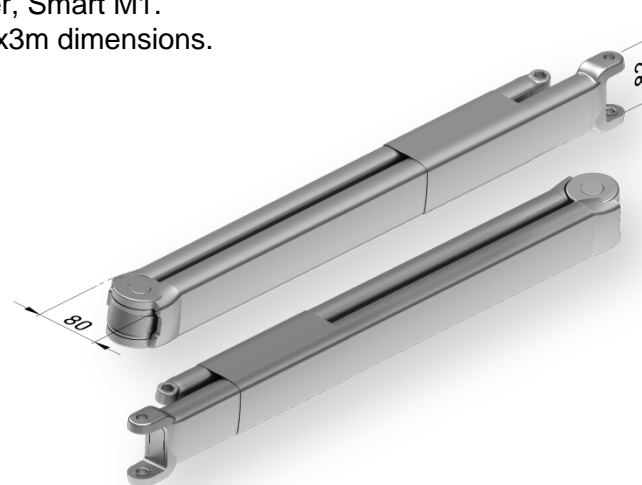
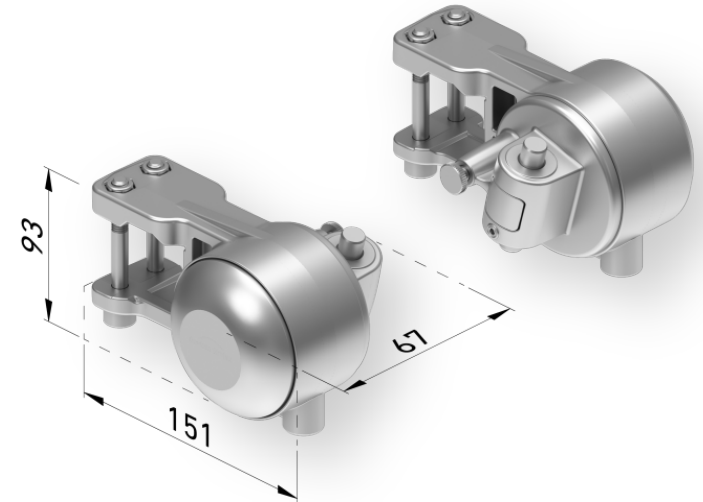
## **GENERAL FEATURES:**

Monobloc awning system for retractable Premium arms.  
Homologated at Class 2 in 5x3,5m y 6x3m dimensions.  
It uses the new Premium monobloc supports and accesories.  
Compatible with both Concept arms and charge profiles.



# G200 Classic:

- ▶ Reinforced design with ribs at critical parts.
- ▶ Bar adjustment turned 0,5° in order to avoid having the arms dropped whenever the awning is closed (patented).
- ▶ Elbows adjustment available being the awning closed, by double prisoner as Ares/Deimos boxes.
- ▶ Greater adjusting range: 47° at each position (39° before).
- ▶ Longer 5mm central screw so you can skip between positions without removing the round piece entirely.
- ▶ Locking tilt adjustment and lower prisoners (as well the other Smart and Premium supports).
- ▶ Rear striking plate at the bar, so the screws do not sink in the square bar under load, and the awning is not mismatched under wind or rain conditions.
- ▶ Similar aesthetic that its smaller brother, Smart M1.
- ▶ Homologated at Class 2 in 5x3,5m y 6x3m dimensions.

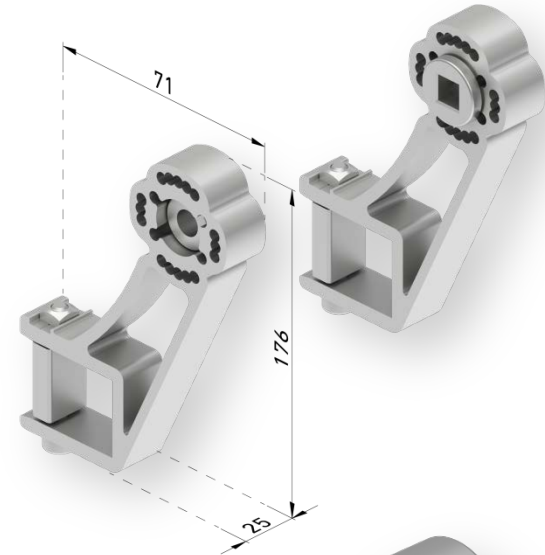


## **Retractable Premium Arm** **80080785**

- ▶ It does not change.

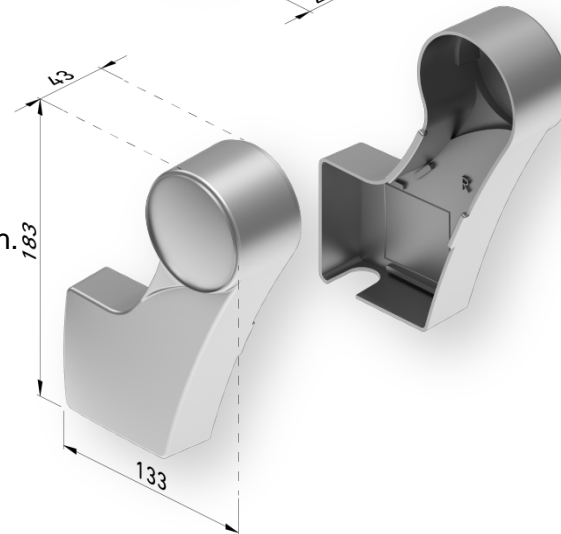
# G200 Classic:

- ▶ New position of the fabric rolling tube, higher and away from the wall so it can be installed awnings with larger projections (even with 85mm tube or semibox).
- ▶ Double sets of holes (48mm and 36mm) in order to fix all types of motors without having to use the “building site/awning motor support”.
- ▶ 3 pairs of horizontal holes have been added to the previous 5 vertical pairs, to ensure easy end of stroke, even with semibox.
- ▶ Rear striking plate at the bar, so the screw do not sink in the square bar.



## **Caps Premium Bar/Tube Support** **80081629**

- ▶ New aesthetics with the Premium range style.
- ▶ They include pre-break just in case the square bar exceeds too much.

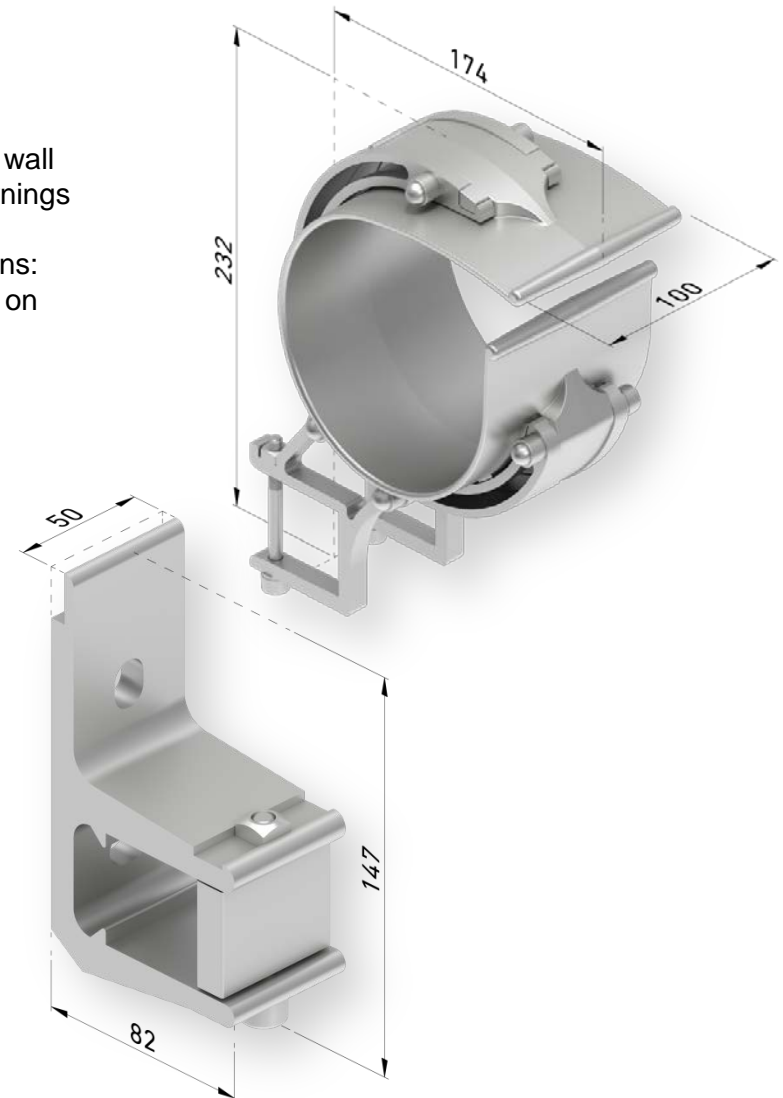


# G200 Classic:

- ▶ New position of the fabric rolling tube, higher and away from the wall (similar to the Premium Bar/Tube Support) so it can be installed awnings with larger projections (even with 85mm tube).
- ▶ More friendly with the fabric even at awnings with large projections: with extra wide space, less rough material, and without central burr on the inside.

## **Extruded Premium Wall Support** **80081713**

- ▶ Rear striking plate at the bar for hiding the frontal screw and preventing it to sink in the square bar under load.



# G200 Classic:

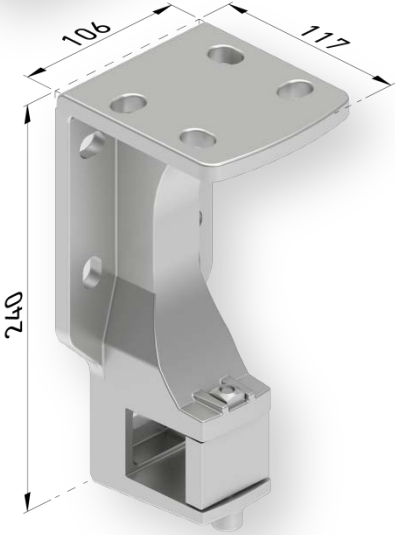
**Die casting wall-ceiling Premium support with 2 holes**  
**80081634**

- ▶ Reinforced design, especially at the central part in order to support ceiling installations with large projections.
- ▶ Higher, similar to the Premium Bar/Tube Support, so it can be installed awnings with larger projections (even with 85mm tube or semibox).
- ▶ Rear striking plate at the bar for hiding the frontal screw and preventing it to sink in the square bar under load.
- ▶ New aesthetics with the Premium range style.



**Die casting wall-ceiling Premium support with 4 holes**  
**80081733**

- ▶ 4 holes to wall and 4 holes to ceiling, so it can be installed at less consistent walls or ceiling, even with large projections.
- ▶ Reinforced design, especially at the central part in order to support ceiling installations with large projections.
- ▶ Higher, similar to the Premium Bar/Tube Support, so it can be installed awnings with larger projections (even with 85mm tube or semibox).
- ▶ Rear striking plate at the bar for hiding the frontal screw and preventing it to sink in the square bar under load.
- ▶ New aesthetics with the Premium range style.

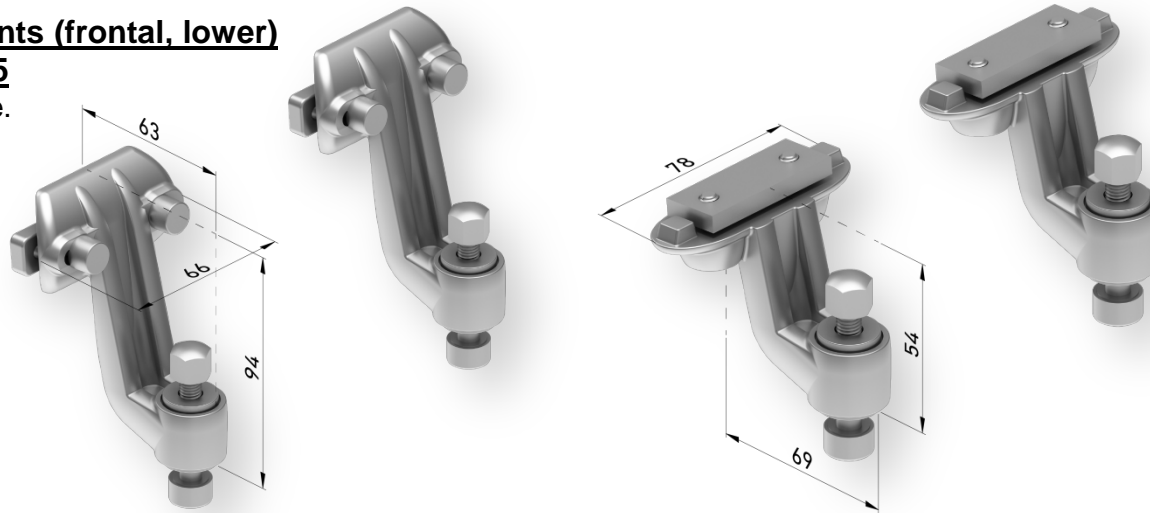


# G200 Classic:

## Premium Adjustments (frontal, lower)

**80080875, 80080885**

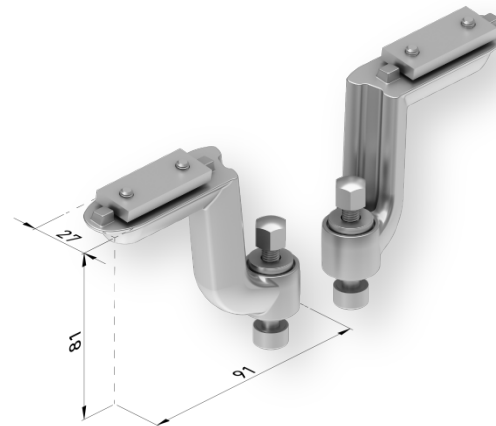
- ▶ They do not change.



## Lateral Premium Adjustments

**80081662**

- ▶ Recommended for awnings with more than 30° inclination, with or without semibox.
- ▶ It delays and turns back as well the position the charge profile, so we can reduce the size of the awning whenever is closed.
- ▶ It increases range of use of semibox in 15° compared to the lateral adjustment.
- ▶ Similar aesthetic to the Frontal and Lower adjustments.



# G200 Classic:

## Bambu Charge Profiles (1, 2 and 3)

80050320, 80050304, 80050350

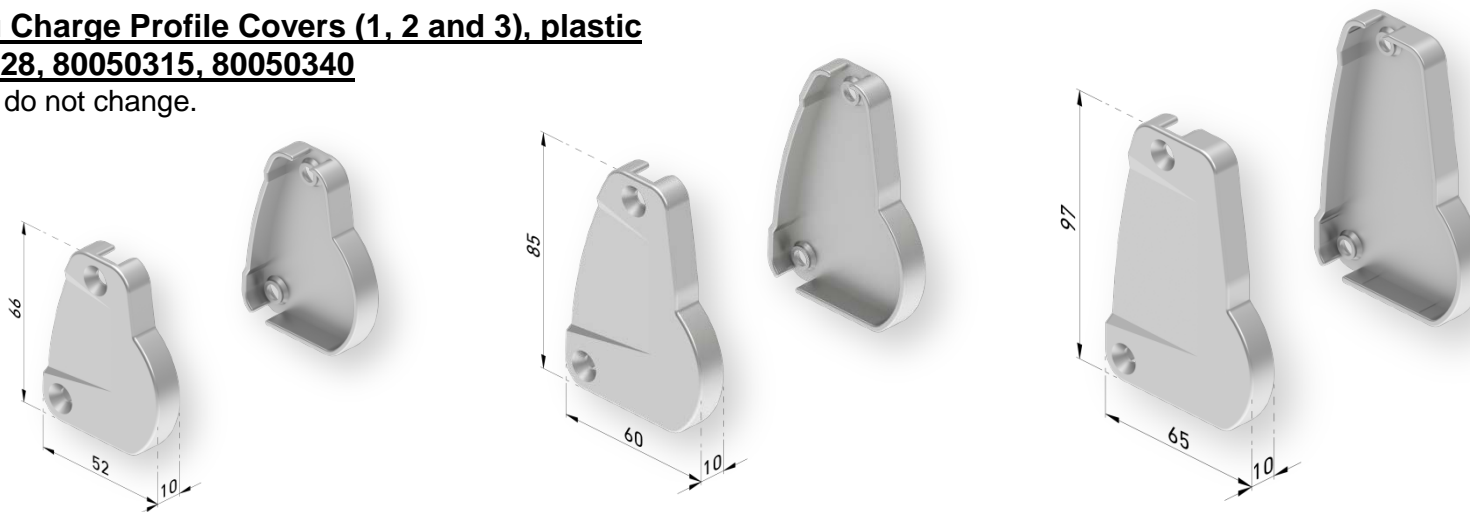
► They do not change..



## Bambu Charge Profile Covers (1, 2 and 3), plastic

80050328, 80050315, 80050340

► They do not change.



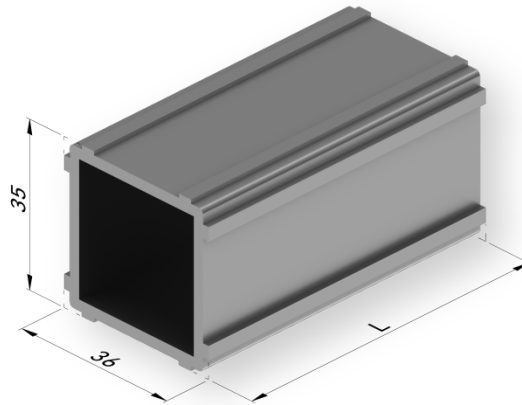


# G200 Classic:

## Bambu 2 and Bambu 3 joint profile

**80140265**

- ▶ It does not change.



## Stopper pivot for Charge Profile

**80081550**

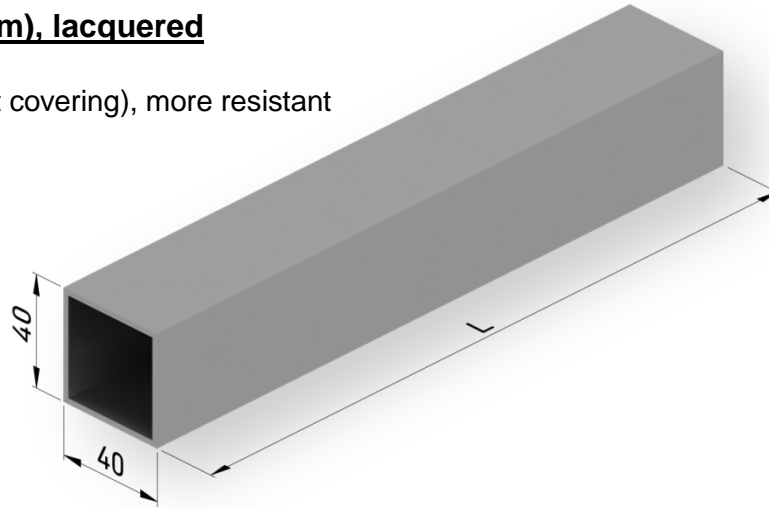
- ▶ Recommended for awnings with more than 30° inclination, with or without semibox.
- ▶ Serves to prevent the elbows arms dropping in front of the frontal fabric being the awning closed.
- ▶ It can be assembled on the charge profile with the awning already installed and without having to disassemble anything (patented).
- ▶ It can be assembled on the charge profile with ¼ turn, without screwing or have put a flange on the charge profile rail before installing the awning (patented).



# G200 Classic:

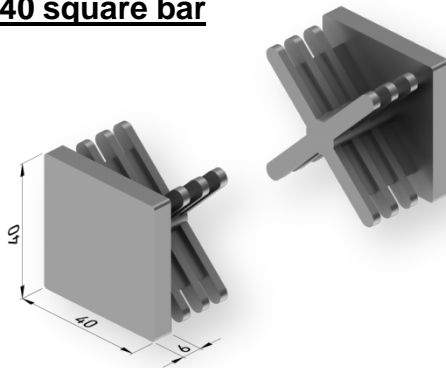
## 40 Squared Bar (x2 iron and x3 aluminum), lacquered 80081598 y 80080101

► 2mm galvanized iron (1,5mm before without covering), more resistant to efforts and corrosion.



## Set of caps for 40x40 square bar 80080202

► It does not change.

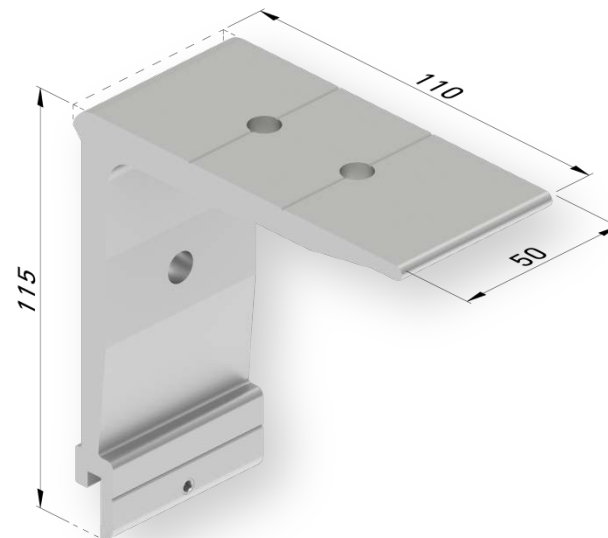


# G200 Classic:

## Extruded Premium flat hood wall support

### 80081725

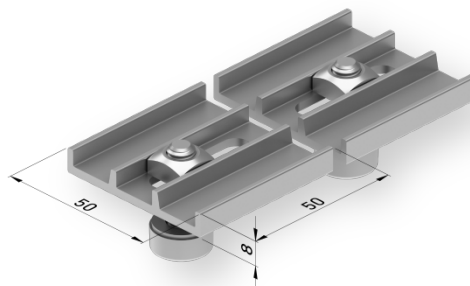
- ▶ Higher, similar to the Premium Bar/Tube Support and the Ceiling Premium Supports with 2 or 4 holes, so it can be installed awnings with larger projections (even with 85mm tube or semibox).
- ▶ Similar aesthetic and performance that its smaller brother, the “Flat Hood Extruded Upper Support”.



## Set of hood mounting plate for upper/wall-ceiling support

### 80080355, 80080354

- ▶ They do not change..

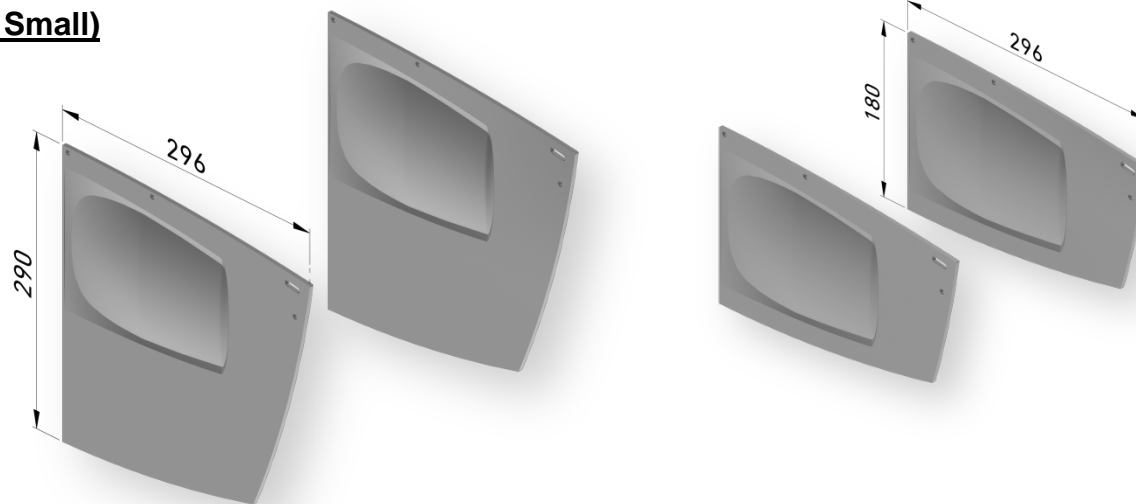


# G200 Classic:

## Set of sides for V2 (Big and Small)

80081321, 80081328

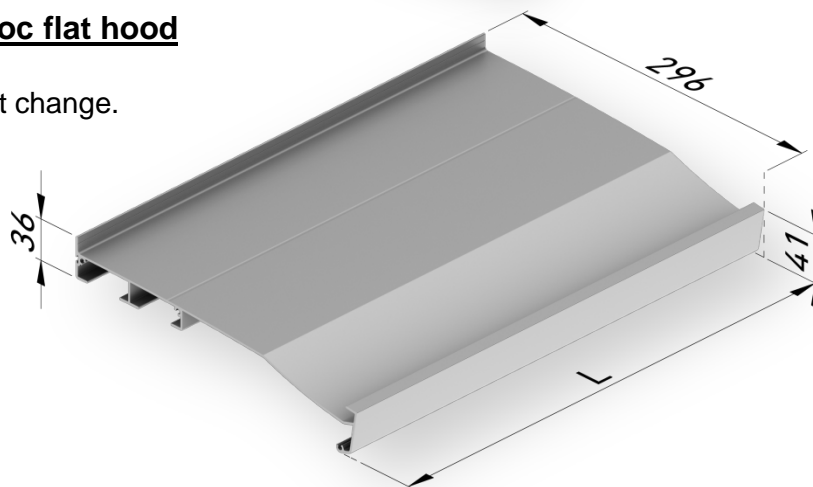
► They do not change.



## V2 monobloc flat hood

80081302

► It does not change.



# G200 Classic:

## M1 PREMIUM PLUS

Clases comprobadas tras los ensayos M-1 Premium V3									
2	2,5	3	3,5	4	4,5	5	5,5	6	H
IM	Clase 2*	Clase 2*	Clase 2*	Clase 2*	Clase 2	Clase 2	Clase 1	Clase 1	3,5
IM	Clase 2*	Clase 2*	Clase 2*	Clase 2	Clase 2	Clase 2	Clase 1	Clase 1	3,25
Clase 2*	Clase 2*	Clase 2*	Clase 2*	Clase 2	Clase 2	Clase 2	Clase 2	Clase 2	3
Clase 2*	Clase 2*	Clase 2*	Clase 2	Clase 2	Clase 2	Clase 2	Clase 2	Clase 2	2,75
Clase 2*	Clase 2*	Clase 3	Clase 3	Clase 3	Clase 3	Clase 3	Clase 3	Clase 3	2,5
Clase 2*	Clase 2*	Clase 3	Clase 3	Clase 3	Clase 3	Clase 3	Clase 3	Clase 3	2,25
Clase 2*	Clase 3	Clase 3	Clase 3	Clase 3	Clase 3	Clase 3	Clase 3	Clase 3	2
Clase 2*	Clase 3	Clase 3	Clase 3	Clase 3	Clase 3	Clase 3	Clase 3	Clase 3	1,75
Clase 3	Clase 3	Clase 3	Clase 3	Clase 3	Clase 3	Clase 3	Clase 3	Clase 3	1,5
Clase 3	Clase 3	Clase 3	Clase 3	Clase 3	Clase 3	Clase 3	Clase 3	Clase 3	1,25

## M1 PREMIUM (normal)

2	2,5	3	3,5	4	4,5	5	5,5	6	H
IM	IM	IM	IM	IM	Clase 1	Clase 1	Clase 1	Clase 1	3,5
IM	IM	IM	IM	Clase 1	Clase 1	Clase 1	Clase 1	Clase 1	3,25
IM	IM	IM	IM	Clase 2	Clase 2	Clase 2	Clase 2	Clase 2	3
IM	IM	IM	Clase 2	Clase 2	Clase 2	Clase 2	Clase 2	Clase 2	2,75
IM	IM	IM	Clase 3	Clase 3	Clase 3	Clase 3	Clase 2	Clase 2	2,5
IM	IM	Clase 3	Clase 3	Clase 3	Clase 3	Clase 3	Clase 3	Clase 3	2,25
IM	IM	Clase 3	Clase 3	Clase 3	Clase 3	Clase 3	Clase 3	Clase 3	2
IM	Clase 3	Clase 3	Clase 3	Clase 3	Clase 3	Clase 3	Clase 3	Clase 3	1,75
Clase 3	Clase 3	Clase 3	Clase 3	Clase 3	Clase 3	Clase 3	Clase 3	Clase 3	1,5
Clase 3	Clase 3	Clase 3	Clase 3	Clase 3	Clase 3	Clase 3	Clase 3	Clase 3	1,25

IM: imposibilidad de montaje.